



Bobcat®

Dozer blades

Attachments



Standard features

- Six-way adjustable blade on 68 inch models and up
- Electric-over-hydraulic controls on 68 inch models and up
- Reversible cutting edge for all models
- Attachment Control Kit must be installed on Bobcat loader to operate attachment on 68 inch models and up

Applications

- Construction
- piling and grading loose dirt, gravel or sand
- back fill around foundations, fill trenches
- Landscaping (leveling)

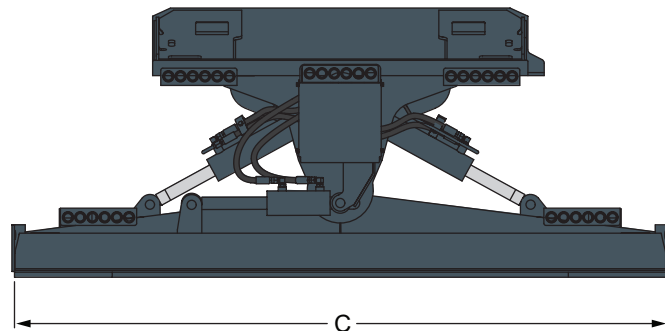
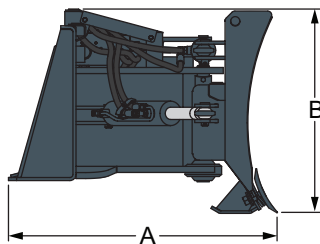
	Item number	Compatible with loader
Utility blade 48 inch (122 cm)	6907054	S70
Dozer blade 68 inch (173 cm)	7106089	S130, T140
Dozer blade 80 inch (203 cm)	6905884	S130, S150, S160, S175, S185, S205, S220, S250, S300, S330, T140, T190
Dozer blade 90 inch (229 cm)	6905811	S220, S250, S300, S330, A300
Dozer blade 96 inch (244 cm)	7105781	S220, S250, S300, S330, A300, T250, T300, T320

Weights and dimensions

	Operating weight (kg)	Shipping weight (kg)	Overall Width (C) (mm)	Overall Height (B) (mm)	Overall Length (A) (mm)
Utility blade 48 inch (122 cm)	127	145	1220	542	755
Dozer blade 68 inch (173 cm)	408	431	1727	634	834
Dozer blade 80 inch (203 cm)	431	454	2032	634	838
Dozer blade 90 inch (229 cm)	448	471	2286	639	838
Dozer blade 96 inch (244 cm)	717	739	2438	704	884

Characteristics and performance

	Working Width (fully-angled) (mm)	Angle (°)	Oscillation (°)	Cutting edge (mm x mm)	Cylinders	Skid shoes
Utility blade 48 inch (122 cm)	1056	± 30	0	12.7 x 102	1	-
Dozer blade 68 inch (173 cm)	1496	± 30	± 8	12.7 x 152	3	adjustable
Dozer blade 80 inch (203 cm)	1760	± 30	± 8	12.7 x 152	3	adjustable
Dozer blade 90 inch (229 cm)	1982	± 30	± 8	12.7 x 152	3	adjustable
Dozer blade 96 inch (244 cm)	2121	± 30	± 10	16 x 152	3	adjustable



www.bobcat.eu