



Bobcat®

435

Compact Excavators



Standard Features

1930 mm dozer blade	Hydraulic joystick controls
400 mm rubber track	Retractable seat belt
Auxiliary hydraulics with Quick Couplers	Spark arrester muffler
Blade float feature	Suspension seat with high back
Control console locks	* TOPS/ROPS cab with heating
Cupholder	Two-speed travel
Engine/hydraulic monitor with shutdown	Vandalism protection
Fingertip auxiliary hydraulic control	Working lights
Horn	Warranty: 12 months, 2000 hours

Weights

Operating weight with ROPS canopy	4737 kg
Additional weight for cab with heater	138 kg
Additional weight for cab with HVAC	161 kg
Additional weight for steel tracks	33 kg
Additional weight for long dipperstick	112 kg

Engine

Make / model	Kubota / V2403-M-DI-TE3B-BC-3
Fuel / Cooling	Diesel / Liquid
Bore / Stroke	87.1 mm / 102.3 mm
Maximum power at 2200 RPM (ISO 9249)	35.4 kW
Maximum torque at 1200 RPM (SAE J1349 Gross)	179.5 Nm
Number of cylinders	4
Displacement	2.433 l

Performance

Digging force, standard dipperstick	23406 N
Digging force, long dipperstick	20128 N
Digging force, bucket	35105 N
Drawbar pull	49037 N
Travel speed, low range	2.69 km/h
Travel speed, high range	4.41 km/h
Maximum digging depth, standard dipperstick	3420 mm
(K) Maximum digging depth, long dipperstick	3772 mm

Hydraulic System

Pump type	Piston pump with pressure compensating, load sensing and torque limiter controls with external gear pump
Piston pump capacity	99.0 l/min
Gear pump capacity	31.5 l/min
Auxiliary flow	75.0 l/min
System relief pressure for boom, dipperstick and bucket circuits	250 Bar

Fluid Capacities

Cooling system	17.0 l
Engine lubrication plus oil filter	7.1 l
Fuel reservoir	67.4 l
Hydraulic reservoir	29.9 l
Hydraulic system with bucket and dipper cylinder retracted, bucket on the ground, and blade down	54.2 l

Controls

Steering	Direction and speed controlled by two pilot-operated hand levers or optional foot pedals
Auxiliary hydraulics	Electric switch in right joystick

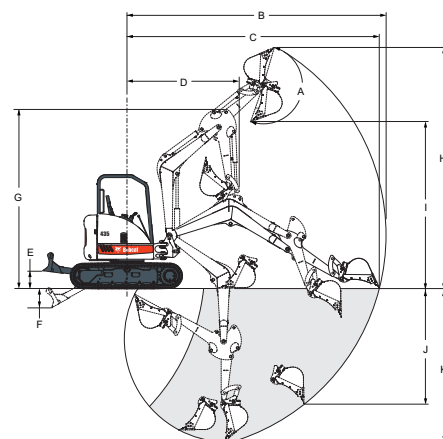
Slew System

Boom swing, left	90°
Boom swing, right	50°
Slew rate	9.3 RPM

Traction

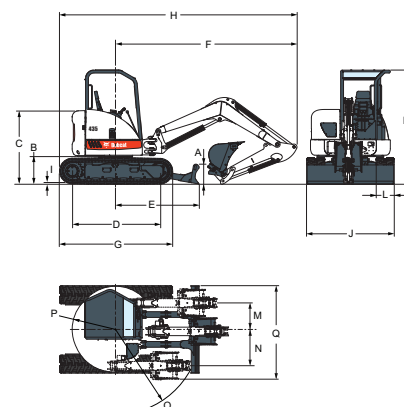
Track width	400 mm
Gradeability	30°

Working Range



(B)	6096 mm	(G)	3970 mm	(I)	3889 mm
(C)	5961 mm	(H)	5588 mm	(J)	2883 mm
(D)	2553 mm	(E)	405 mm	(K)	3772 mm
(A)	183°	(F)	534 mm	(L)	3649 mm
(B)	5757 mm	(G)	3970 mm	(J)	2568 mm
(C)	5611 mm	(H)	5346 mm	(K)	3420 mm
(D)	2428 mm				

Dimensions



(F)	4023 mm	(H)	5258 mm	(O)	1918 mm
(A)	442 mm	(G)	2496 mm	(M)	585 mm
(B)	627 mm	(H)	5238 mm	(N)	798 mm
(C)	1644 mm	(I)	30 mm	(O)	1877 mm
(D)	1932 mm	(J)	1930 mm	(P)	955 mm
(E)	1843 mm	(K)	2541 mm	(Q)	2080 mm
(F)	4003 mm	(L)	400 mm		

Options

Aircondition	Lifting chain kit
AM/FM stereo radio	Long dipperstick
Bobcat™ Quick Coupler (BQC) type K	Special applications kit
Bobcat™ Quick Coupler (BQC) type SW	Steel tracks
Cab enclosure, vinyl	TOPS/ROPS cab with HVAC
Catalytic exhaust purifier kit	Travel motion alarm
FOPS kit	X-Change™ attachment mounting system
Keyless start	

Attachments

Auger	Hydraulic breaker
Cutter crusher	Hydraulic clamp
Digging bucket	PowerTilt®
Grading bucket	Trencher
Hydra-Tilt	



www.bobcat.eu