



Bobcat®

337

Compact Excavators



Weights

Operating weight with ROPS canopy	5028 kg
Additional weight for cab with heater	119 kg
Additional weight for cab with HVAC	141 kg
Additional weight for steel tracks	33 kg

Engine

Make / model	Kubota / V2003-M-DI-TE2B-BC-4 turbocharged
Fuel / Cooling	Diesel / Liquid
Maximum power	37.5 kW
Maximum torque	164 Nm
Number of cylinders	4
Displacement	2.0 l
Bore / Stroke	83 mm / 92.4 mm
Alternator	12 V — 90 A
Starter	12 V — 2 kW

Controls

Steering	Direction and speed controlled by two pilot-operated hand levers or foot pedals
Hydraulics	Two joysticks control boom, bucket, dipperstick and upper structure slew

Hydraulic System

Pump type	Engine-driven, variable displacement piston pump with pressure compensating load sensing and torque limiter controls
Pump capacity	177.5 l/min
Auxiliary flow	75.7 l/min
System relief pressure for implement circuits	259 Bar
System relief pressure for auxiliary circuits	207 Bar
Control valve	Nine-spool, closed centre, individually compensated

Performance

Digging force, dipperstick	29790 N
Digging force, bucket	41223 N
Drawbar pull	50314 N
Ground pressure with rubber tracks	29.4 kPa
Travel speed, low range	3.1 km/h
Travel speed, high range	5.2 km/h
Maximum digging depth	3581 mm

Slew System

Boom swing, left	75°
Boom swing, right	51°
Slew circle	Single row shear-type ball bearings with internal gear
Slew drive	Radial piston motor with brake
Slew rate	11.3 RPM

Traction

Track width, rubber, standard	400 mm
Number of track rollers per side	5
Gradeability	30°

Brakes

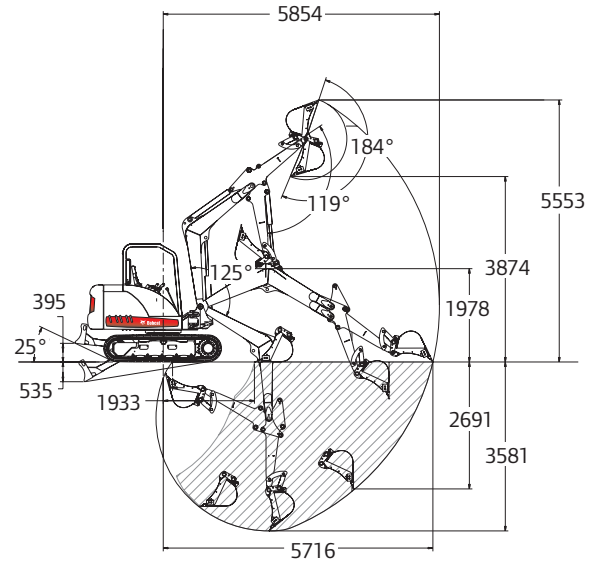
Travel brake	Hydraulic lock on motor
Slew brake	Spring applied, hydraulically released

Fluid Capacities

Cooling system	17.0 l
Engine lubrication plus oil filter	7.1 l
Fuel reservoir	84.4 l
Hydraulic reservoir	22.7 l
Hydraulic system	62.5 l

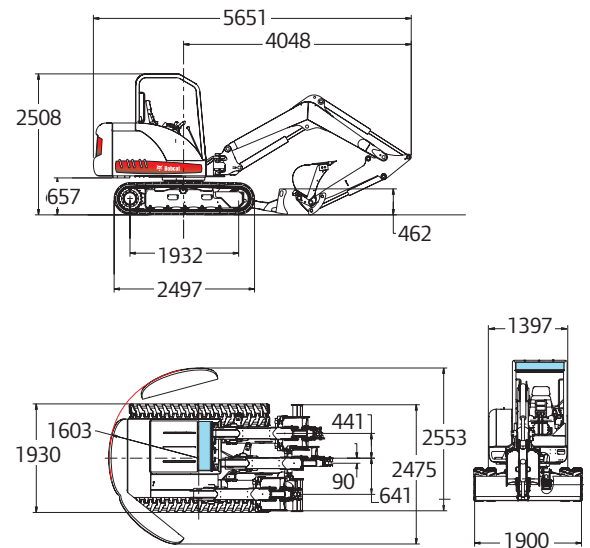
Working Range

All dimensions in mm.



Dimensions

All dimensions in mm.



www.bobcat.eu