



Bobcat®

Forestry Cutter

Attachments



Main features

- Provides you a complete tree and brush management package
- Cut higher trees and limbs down to size - Grind trees from top to bottom - Produce mulch
- Spiral tooth pattern allows one tooth to engage at a time for smoother operation and less horsepower demand
- Double-tipped carbide teeth efficiently rip through hard and soft woods, provide long life
- Can operate below grade to process mulch into the soil
- Pressure gauge is visible from the seat to help operator run the attachment at peak efficiency
- The standard front gate can reduce front discharge of material and can promote longer processing into finer mulch
- The Bobcat Forestry Applications Kit protects the operator and the machine

Applications

- Forestry applications
- Environmental land clearing and maintenance
- Landscaping

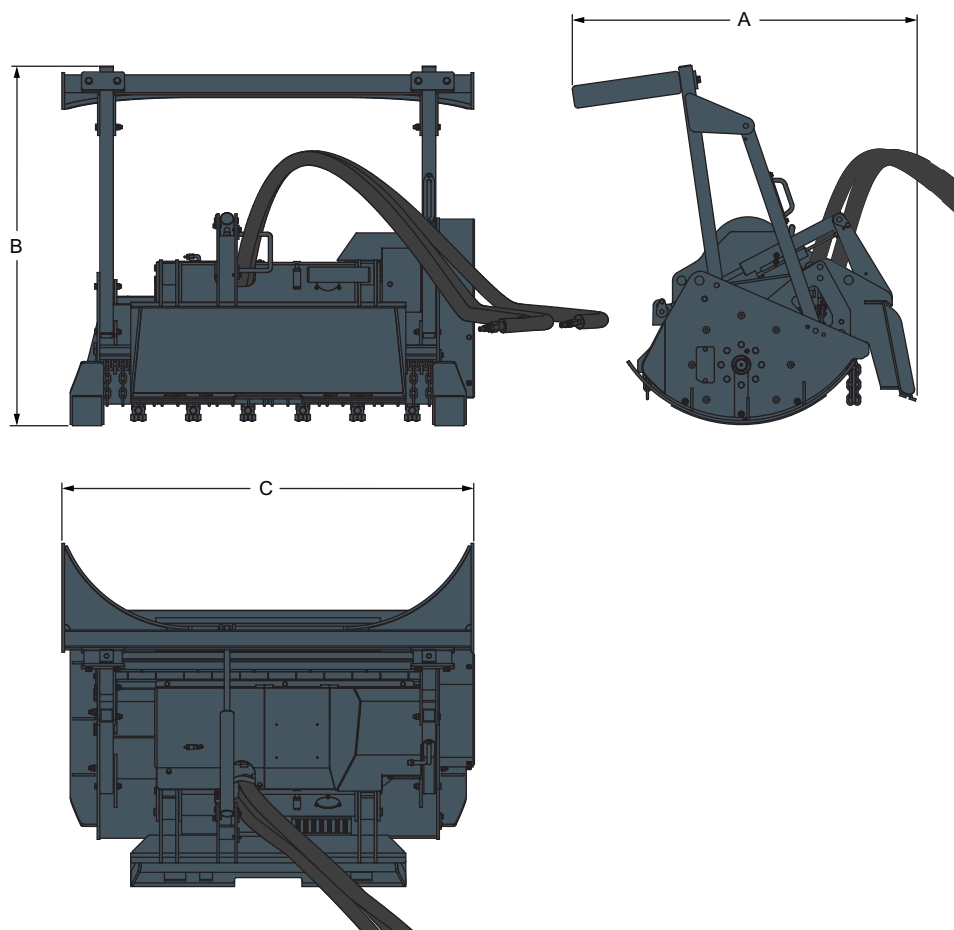
	Item number	Compatible with loader
Forestry cutter FRC150	7161393	S300H, S330H, T250H, T300H, T320H, A300H

Weights and dimensions

	Operating weight (kg)	Shipping weight (kg)	Overall Width (C) (mm)	Overall Height (B) (mm)	Overall Length (A) (mm)
Forestry cutter FRC150	1300	1300	1834	1600	1288

Characteristics and performance

	Cutting width (mm)	Number of teeth	Tree diameter, continuous use (mm)	Tree diameter, intermittent use (mm)	Tree diameter, occasional removal (mm)
Forestry cutter FRC150	1500	24	100 – 120	180 – 220	250 – 300



www.bobcat.eu