



S770 | Compact Loaders



POWER
meets
COMFORT
BY BOBCAT



Machine Rating

Rated operating capacity ISO 14397-1	1569 kg
Tipping load ISO 14397-1	3137 kg
Pump capacity	87.1 L/min
Pump capacity (with high flow option)	151 L/min
System relief at quick couplers	23.8–24.5 MPa
Max. travel speed (low range)	11.4 km/h
Max. travel speed (high range)	19.8 km/h

Engine

Make / Model	Kubota / V3800-DI-T-E3
Fuel / Cooling	Diesel / Liquid
Power	68.6 kW
Torque, maximum at 1600 RPM (SAE J1995 Gross)	315 Nm
Number of cylinders	4
Displacement	3769 cm ³
Fuel tank	103 L

Weights

Operating weight	4162 kg
------------------	---------

Controls

Vehicle steering	Direction and speed controlled by two hand levers or joysticks (optional)
Loader hydraulics tilt and lift	Separate foot pedals or optional Advanced Control System (ACS) or optional Advanced Hand Controls (AHC) or Selectable Joystick Control (SJC)
Front auxiliary (standard)	Electrical switch on right-hand steering lever

Drive System

Transmission	Infinitely variable tandem hydrostatic piston pumps, driving two fully reversing hydrostatic motors
--------------	---

Standard Features

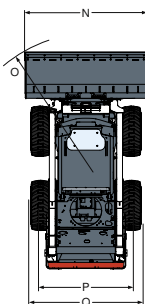
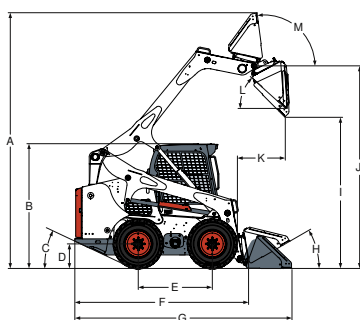
Two-speed travel	CE certification
High-back adjustable suspension seat	Electrically activated proportional front auxiliary hydraulics
Automatically activated intake air heater	Engine/hydraulics system shutdown
Bob-Tach™ frame	Hydraulic bucket positioning
Bobcat Interlock Control System (BICS)	Instrumentation
Deluxe operator cab Includes interior cab foam, side, top and rear windows	Lift arm support
	Work lights, front and rear
	Parking brake
	3-point seat belt
	Seat bar
	12 x 16.5, 12-ply, Bobcat Heavy duty tyres
	Turbo-charger with approved spark arrestor

* Roll Over Protective Structure (ROPS) - meets requirements of SAE-J1040 and ISO 3471; Falling Object Protective Structure (FOPS) - meets requirements of SAE-J1043 and ISO 3449, Level I

Options

Deluxe instrument panel	12 x 16.5, 12-ply, Bobcat Severe duty tyres
Cab enclosure with heating	12 x 16.5, 12-ply, Bobcat Severe duty tyres, poly filled
High-flow hydraulics	12 x 16.5, 12-ply, Bobcat Solid flex tyres
Air conditioning	Advanced Control System (ACS)
Power Bob-Tach™	Advanced Hand Controls (AHC)
12 x 16.5, 12-ply, Bobcat Heavy duty tyres, offset rims	Selectable Joystick Controls (SJC)
33 x 15.5–16.5, 12-ply, Bobcat Superflotation tyres, offset rims	

Dimensions



(A)	4232 mm	(J)	3353 mm
(B)	2065 mm	(K)	800 mm
(C)	25°	(L)	42°
(D)	207 mm	(M)	98°
(E)	1227 mm	(N)	1880 mm
(F)	2903 mm	(N)	2032 mm
(G)	3597 mm	(O)	2179 mm
(H)	30°	(P)	1507 mm
(I)	2649 mm	(Q)	1832 mm

Attachments

- Angle / Snow blade
- Angle broom*†
- Auger
- Bale forks
- Box blade
- Brushcat rotary cutter
- Buckets
- Wood chipper*
- Combination bucket
- Concrete pump*
- Digger
- Dozer blade*
- Drop hammer
- Dumping hopper
- Farm grapple
- Mower
- Flail cutter
- Forestry cutter
- Grader*
- Hydraulic breaker**
- Industrial grapple
- Landplane
- Landscape rake
- Pallet forks - heavy duty
- Pallet forks - hydraulic
- Planer*
- Rear stabilisers
- Scarifier
- Snow V-blade
- Snow blower*
- Sod layer*
- Soil conditioner*
- Spreader
- Stump grinder*
- Super scraper
- Sweeper
- Tiller
- Tracks, steel
- Tree transplanter*
- Trencher
- Utility forks
- Utility frame
- Vibratory roller
- Water kit
- Wheel saw
- Whisker broom

*Attachment control kit required.

**When operating the loader with this attachment, a Special Applications Kit, which includes a 12 mm Lexan front door with 6 mm top and rear windows, must be used.

†Optional water kit.



www.bobcat.eu