



Bobcat®

Combination Bucket

Attachments



Standard features

- Ideal for dozing, grappling, leveling, digging, loading and dumping.
- Built with heavy-duty cutting edges and protected cylinders for long life.

Applications

- Construction
- Demolition
- Landscaping
- Renovation

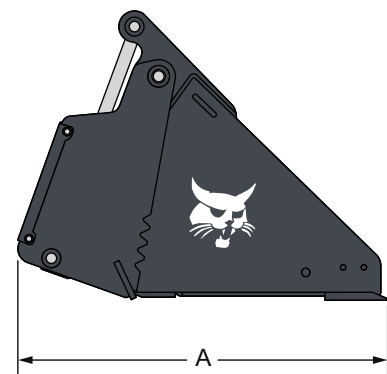
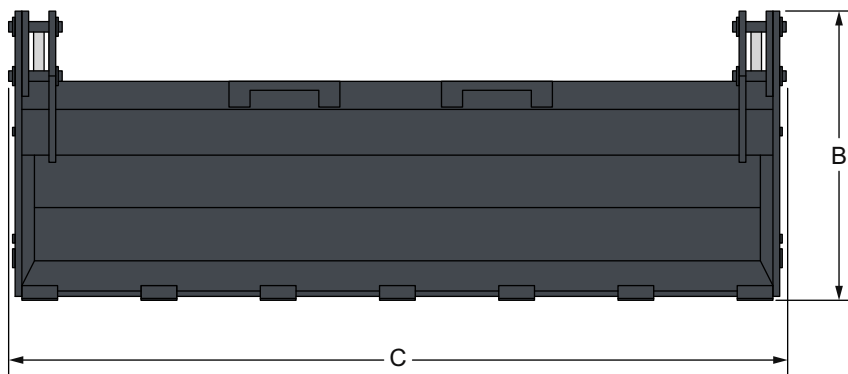
	Item number	Compatible with loader
44 in/112 cm combination bucket	6815543	S70
55 in/140 cm combination bucket	2710100	S100
62 in/157 cm combination bucket	7167310	S130, S150, S160, S175, S185, S205, T140
68 in/173 cm combination bucket	7167311	S150, S160, S175, S185, S205, S220, S250, S300, S330, T190
74 in/188 cm combination bucket	7167312	S150, S160, S175, S185, S205, S220, S250, S300, S330, T190
80 in/203 cm combination bucket	7167313	S220, S250, S300, S330, A300, T250, T300, T320
84 in/213 cm combination bucket	7167314	S220, S250, S300, S330, A300, T250, T300, T320

Weights and dimensions

	Operating weight (kg)	Shipping weight (kg)	Overall width (mm)	Overall height (mm)	Overall length (mm)
44 in/112 cm combination bucket	139	139	1130	522	707
55 in/140 cm combination bucket	265	265	1400	710	780
62 in/157 cm combination bucket	366	366	1588	719	879
68 in/173 cm combination bucket	387	387	1740	719	879
74 in/188 cm combination bucket	408	408	1893	719	879
80 in/203 cm combination bucket	488	488	2068	853	987
84 in/213 cm combination bucket	534	534	2170	853	987

Characteristics and performance

	Std Teeth configuration	Accepts max. n° of teeth	Capacity (SAE heaped) (l)	Jaw opening (mm)
44 in/112 cm combination bucket	Without teeth	7 (bolt-on)	147	541
55 in/140 cm combination bucket	Fixed teeth	8 (welded)	250	740
62 in/157 cm combination bucket	Without teeth	7 (bolt-on)	300	729
68 in/173 cm combination bucket	Without teeth	7 (bolt-on)	330	729
74 in/188 cm combination bucket	Without teeth	8 (bolt-on)	380	729
80 in/203 cm combination bucket	Without teeth	8 (bolt-on)	520	919
84 in/213 cm combination bucket	Without teeth	9 (bolt-on)	550	919



www.bobcat.eu