



Bobcat®

Snow Blade

Attachments



Bobcat® Snow Blade - Angle Blade

Move or push snow quickly

The Bobcat Snow Blade is an excellent tool to quickly remove light or moderate snow from sidewalks and driveways. And with the optional end wing kit for the 213 cm and 244 cm models, the Bobcat Snow Blade becomes a high-production snow pusher ideal for parking lots and larger areas.

Features

- Hydraulic cylinders angle moldboard left or right 30 degrees
- Moldboard has spring trip for component protection
- Adjustable depth shoes are standard equipment
- High visibility masts provided to locate blade corners
- Strong, high-carbon steel cutting edge for long life
- Optional rubber cutting edge to protect pavement surfaces available through Bobcat Parts for 152 to 244 cm models
- Optional end wing kit turns Bobcat Snow Blades into snow pushers (end wing kit available for 213 and 244 cm models only)
- Quick loader hook-up with the exclusive Bob-Tach™ mounting system



Optional end wing kit for 213 cm and 244 cm models allows snow to be pushed straight with less end spill.

Bobcat® V-Blade

Far more versatility than a standard Snow Blade or Snow Bucket!

With five different blade configurations, the hydraulically operated V-Blade gives operators a choice of ways to move snow fast!

Features

- V-Blade: clear a path through deep snow
- Straight Blade: pile large amounts of snow
- Scoop Blade: scoop, push or pile snow
- 30° Left or Right Angle Blade: continuously push snow to either side of the loader

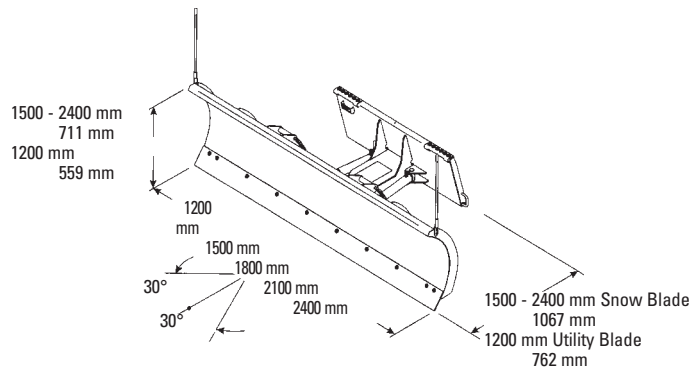
More V-Blade features

- Fingertip adjustments of V-Blade's five configurations
- Multi-position frame allows blade to be raised or lowered to desired working height
- Domed, adjustable skid shoes and trip springs provide operator and component protection
- Standard 13 x 102 mm high-carbon steel cutting edges and blade height extensions
- Optional rubber cutting edge kits available (Bobcat Parts Service)

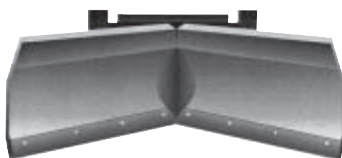


Specifications

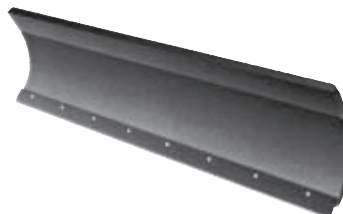
Description	48"/122 cm Utility/Snow Blade	60"/152 cm Snow Blade	72"/183 cm Snow Blade	84"/213 cm Snow Blade	96"/244 cm Snow Blade
Operating weight (kg)	127	263	268	281	299
Shipping weight (kg)	145	274	301	320	338
Overall width (mm)	1219	1524	1823	2134	2438
Overall height (mm)	558	711	711	711	711
Overall length (mm)	753	1067	1067	1067	1067
Working width (fully angled) (mm)	1066	1321	1600	1854	2108
Steel cutting edge (mm x mm)	12.7 x 102	9.5 x 152	9.5 x 152	9.5 x 152	9.5 x 152
Cylinders	1	2	2	2	2
Trip springs	2	4	4	4	4
Optional rubber cutting edge (mm x mm)	-	yes	yes	yes	yes



Description	60"/152 cm Snow V-Blade	72"/183 cm Snow V-Blade	84"/213 cm Snow V-Blade	96"/244 cm Snow V-Blade	108"/274 cm Snow V-Blade
Operating weight (kg)	299	335	353	374	394
Shipping weight (kg)	331	367	385	406	426
Overall width (straight) (mm)	1575	1880	2184	2489	2794
Overall height (mm) with blade extension	724	833	833	833	833
Overall length (mm)	1016	1201	1201	1201	1201
Working width (V-Blade) (mm)	1371	1638	1905	2172	2438
Scoop Working width (U-Blade) (mm)	1346	1600	1880	2133	2413
Working width (angled 30°) (mm)	1371	1626	1905	2159	2413
Oscillation with flotation kit, optional (°)	-	±10	±10	±10	±10



Blade in "Scoop" Configuration



Blade in "Angled" Configuration



Blade in "V" Configuration



Bobcat EMEA
Drève Richelle 167
B-1410 Waterloo, Belgium