



**Bobcat®**

**341**

Compact Excavators



**Weights**

Operating weight with ROPS canopy	5289 kg
Additional weight for cab with heater	119 kg
Additional weight for cab with HVAC	141 kg
Additional weight for steel tracks	33 kg

**Engine**

Make / model	Kubota / V2003-M-DI-TE2B-BC-4 turbo
Fuel / Cooling	Diesel / Liquid
Maximum power at 2500 RPM (ISO 9249)	37.5 kW
Maximum torque at 1800 RPM (ISO 9249)	164.4 Nm
Number of cylinders	4
Displacement	2.0 l
Bore / Stroke	83.0 mm / 92.4 mm
Alternator	12 V - 90 A
Starter	12 V - 2.0 kW

**Controls**

Steering	Direction and speed controlled by two pilot-operated hand levers or foot pedals
Hydraulics	Two joysticks control boom, bucket, dipperstick and upper structure slew

**Hydraulic System**

Pump type	Engine-driven, variable displacement piston pump with pressure compensating load sensing and torque limiter controls
Pump capacity	177.5 l/min
Auxiliary flow	75.7 l/min
System relief pressure for implement circuits	259 Bar
System relief pressure for auxiliary circuits	207 Bar
Control valve	Nine-spool, closed centre

**Performance**

Digging force, dipperstick	23598 N
Digging force, bucket	41223 N
Drawbar pull	50314 N
Ground pressure with rubber tracks	30.9 kPa
Travel speed, low range	3.1 km/h
Travel speed, high range	5.2 km/h
Maximum digging depth	3981 mm

**Slew System**

Boom swing, left	75°
Boom swing, right	51°
Slew circle	Single row shear-type ball bearings with internal gear
Slew drive	Radial piston motor with brake
Slew rate	11.3 RPM

**Traction**

Track width, rubber, standard	400 mm
Number of track rollers per side	5
Gradeability	30°

**Brakes**

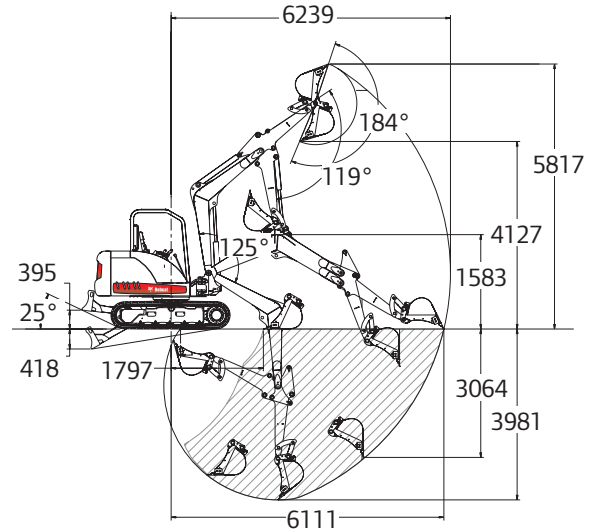
Travel brake	Hydraulic lock on motor
Slew brake	Spring applied, hydraulically released

**Fluid Capacities**

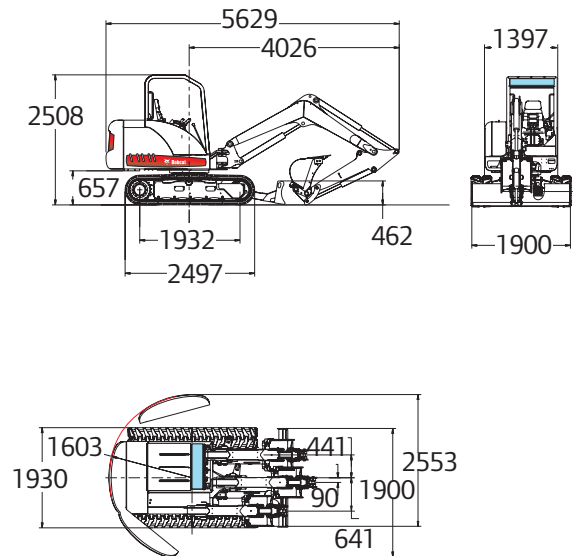
Cooling system	17.0 l
Engine lubrication plus oil filter	7.1 l
Fuel reservoir	84.4 l
Hydraulic reservoir	22.7 l
Hydraulic system	62.5 l

**Working Range**

All dimensions in mm.

**Dimensions**

All dimensions in mm.



[www.bobcat.eu](http://www.bobcat.eu)